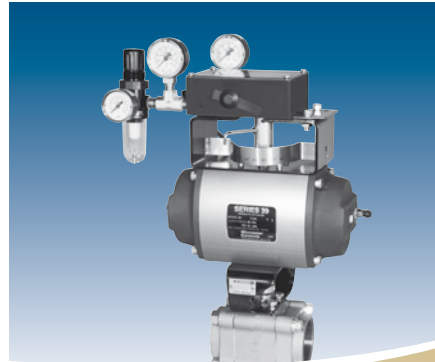




# *Worcester Controls Product Catalog*



*Experience In Motion*



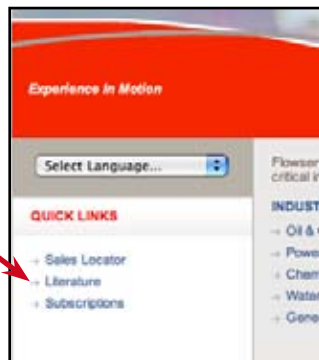
## To Access Literature Online

Every item in this catalog has a brochure containing a great deal of technical product detail. It's easy to find... it's free... and you do not need a password.

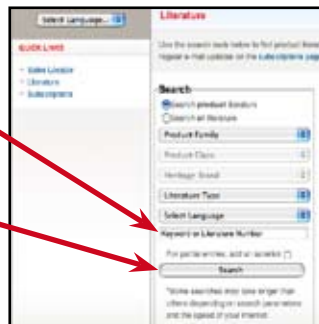
### Do This:

- 1 Go to [www.flowserve.com](http://www.flowserve.com)

- 2 Click in the box that says "Literature"



- 3 Enter keyword or literature number



- 4 Click on "Search"

The most recent version of each product bulletin will be available on this site.

- Once you have the PDF, you can:
- read it
  - print it
  - download it
  - even e-mail it

## Table of Contents

Section	Page
Product Index .....	3
Ordering Preprinted Literature.....	3
Valves	
3-piece .....	4
Flanged .....	5
Wafer .....	6
Directional .....	6
Special Service	
Fugitive Emissions .....	6
Chlorine .....	7
Firesafe .....	7
Cryogenic.....	7
High Purity.....	8
High Pressure .....	9
Tank Bottom .....	9
Control.....	9
Actuation	
Actuator	
Electric .....	10
Pneumatic.....	11
Switch	
End Mount .....	12
Top Mount .....	12-14
Positioner .....	
Pneumatic.....	14
Electric.....	15

*Flowserve rotary valves offer easy maintenance and automation backed by market-friendly expertise and quality heritage brands*



**Product Index**

<b>Product Series</b>	<b>Page</b>	<b>Product Series</b>	<b>Page</b>
34	11	Cryogenic	7
36	10	CL51/52	7
39	11	DFC17	15
44	4	DFP17	15
45	4	Directional	6
59	4	ELK39	12
72	10	Firesafe	7
75	10	Flanged	5
94	6	Fugitive Emissions	6
151	6	FZ44	7
301	6	FZ51/52	7
3-piece	4	FZ94	7
51/52	5	H44	9
818/828	5	H71	9
82/83	5	High Pressure	9
ACCESS	11	High Purity	8
AF17	15	L93	14
AF44	7	Multiport	6
AF51/52	7	PM15	14
AF82	6	PM15E	14
AF83	6	PT	9
AF94	7	Pulsair	14
Aviator	13	Tank Bottom	9
BUSwitch	14	UltraSwitch	12, 13
C4	7	Wafer	6
C44	7	WGL	12
C51	7	WK44	8
Chlorine	7	WK70	8
CL44	7	WK74	8
CL94	7	WPL	13
Control	9	WXCL	13
CPT	10		

**Ordering Preprinted Literature**

Customers, please contact your Flowserve sales representative to get hard copy of a brochure. Flowserve representatives and distributors can go to [www.flowserve.com](http://www.flowserve.com) and click on the “View Literature” link then click on “Log-in to order hard copy literature” and follow the prompts.

To order hard copies, you will need to get a password, which may take up to a day or two.

**SERIES 44**



**Features**

- 3 Piece Swing out design Ball Valve
- ASME class 600 design
- Meets ASME B16.34 requirements (consult Pressure/Temperature Charts)
- “Live loaded” stem seal design
- Multiple soft and metal seat options
- Tight Shut off and Bi-Directional sealing
- Cavity Filled Designs
- Special Service Applications: UL, FM, USCG and other Special service approvals

**Sizes**

- ¼” - 2”
- Screwed end
- Socket weld
- Butt weld, Solder ends (Brass only)

**Materials**

- Carbon Steel
- Stainless Steel
- Brass
- Monel
- Alloy 20
- Hastelloy-C

**Standards**

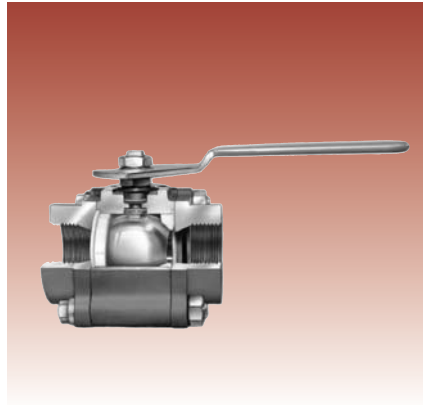
- ASME B16.34
- S.E. to ASME B 2.1
- S.W. to ASME B 16.11
- API 607 Fire Test

Get more information:  
Product catalog:  
WCABR1050

IOMs  
WCAIM2030

See pages 2.

**SERIES 59**



**Features**

- 3 Piece Full Port Ball Valve:
- ASME class 600 design
- Meets ASME B16.34 requirements (consult Pressure/Temperature Charts)
- “Live loaded” stem seal
- Multiple soft and metal seat options
- Tight Shut off and Bi-Directional Sealing
- Cavity Filled Designs
- Full Port design minimizes pressure drop across the valve and maintains a high efficiency, reducing pumping cost.

**Sizes**

- ¼” - 4”
- Screwed end
- Socket weld
- Butt weld

**Materials**

- Carbon Steel
- Stainless Steel

**Standards**

- ASME B16.34
- S.E. to ASME B 2.1
- S.W. to ASME B 16.11
- API 607 Fire Test

Get more information:  
Product catalog:  
WCABR1050

IOMs  
WCENIM2030 (for Miser)  
WCENIM2046 (for large 59)  
WCENIM2054 (for FM)

See pages 2.

**SERIES 45**



**Features**

- Large-diameter, 3 Piece Ball Valve
- ASME Class 300
- Three piece design allows valve to act as a valve and union
- Large diameter bore for O.E.M. equipment and packaging systems
- Compact design with multiple options
- Tight Shut off and Bi-Directional sealing
- Cavity Filled Designs

**Sizes**

- 2-½”, 3”, 4”, 6”
- Screwed end
- Socket weld
- Butt weld

**Materials**

- Carbon Steel
- Stainless Steel

**Standards**

- S.E. to ASME B 2.1
- S.W. to ASME B 16.11
- ASME B16.34
- API 607 Fire Test

Get more information:  
Product catalog:  
WCABR1050

IOMs  
WCENIM2046

See pages 2.

## SERIES 51/52



### Features

- Flanged Unibody Design
- ASME class 150/300
- Tight shut-off
- “Live loaded” stem seal
- Multiple soft and metal seat options
- Wide variety of Body, Seat and Seal materials means dependable, high cycle control on Steam, Petroleum products, Chemicals and abrasive liquids
- Pre-drilled mounting holes for actuation
- Tight Shut off and Bi-Directional sealing
- Cavity Filled Designs

### Sizes

- 1/2" - 10" Flanged
- ASME 150# and 300# class

### Materials

- Carbon Steel
- Stainless Steel

### Standards

- ASME B16.34
- API 607 Fire Test

Get more information:

Product catalog:  
WCABR1013

### IOMs

WCENIM2014 (for small valves)  
WCENIM2015 (for large valves)  
WCENIM2054 (for FM)

See page 2.

## SERIES 82 & 83 AF 82 & 83



### Features

- Flanged Full-Port Unibody Design
- ASME class 150/300
- Tight shut-off
- “Live loaded” stem seal
- Multiple soft and metal seat options
- Full Port design minimizes pressure drop across the valve and maintains a high efficiency, reducing pumping cost.
- Wide variety of Body, Seat and Seal materials means dependable, high cycle control on Steam, Petroleum products, Chemicals and abrasive liquids
- Firesafe by design

### Sizes

- 1/2" 3/4" 1" 1.5" 2.5" 10"
- For 2" and 3" to 8", See Series 818
- ASME 150# and 300# class

### Materials

- Carbon Steel
- Stainless Steel

### Standards

- ASME B16.34
- API 607 Fire Test

Get more information:

Product catalog:  
WCABR1016

### IOMs

WCENIM2047

See page 2.

## SERIES 818 / 828



### Features

- Split Body, Full-Port Design
- Full Port Design
- ISO 5211 mounting
- Full Port design minimizes pressure drop across the valve and maintains a high efficiency, reducing pumping cost.
- Wide variety of Body, Seat and Seal materials means dependable, high cycle control on Steam, Petroleum products, Chemicals and abrasive liquids
- Cavity Filled Designs

### Sizes

- 2", 3"- 8"
- ASME 150# and 300# class

### Materials

- Carbon Steel
- Stainless Steel

### Standards

- API 6D
- API 607 4th Edition
- NACE MR01-75
- BS 5500 Pressure Vessel Code

Get more information:

Product catalog:  
WCABR1015

### IOMs

WCENIM2020 (for std. valve)  
WCENIM2057 (for fugitive emission)

See page 2.

## Series 151 and 301



### Features

- Wafer Design
- Designed for light weight.
- Symmetrically balanced to avoid side loads from actuation 40-60% less weight than conventional ball valves
- Suitable for Steam processes including vegetable peelers, Steam ejectors, Distilleries, and more.

### Sizes

- 3", 4", 6"
- ASME 150# and 300# class

- Rated at 720 CWP

### Materials

- Bronze
- Ductile iron

Get more information:

Product catalog:  
WCABR1041

IOMs  
WCENIM2015

See page 2.

## Series D44/D4, D51, 18/19



### Features

- Multi-port Diverter Valves
- Three-piece or flanged design
- Bottom entry or side entry
- Full port or standard port
- 90 or 180 degree operation
- The D51 cast flanged have similar operations as the D44/D4 but for larger sizes
- The D44/D4 3-piece diverter valve is designed to accept media through a bottom inlet port and direct it to either of two outlet ports
- ASME 150 flanges
- The 18/19 Series is extremely adaptive
  - . Up to 5 ports
  - . multiple seat and body materials
  - . standard or full port
  - . Optional fugitive emission design
  - . Class 150 or 300
  - . Screwed, socket or butt weld and slip-on flanges

### Sizes

1/2" - 2" for D44/D4 3-piece valve  
For 2" - 8" for D51 Flanged valve  
1" - 6" for Series 18 & 19 valve

### Materials

Carbon Steel  
Stainless Steel

### Standards

ASME B16.34  
API 607 Fire Test

Get more information:

Product catalog:  
WCABR1052

IOMs  
WCENIM2030 (for Miser)  
WCENIM2015 (for large valves)

See page 2.

## Series 94, 94-150, 94-300, 94-600



### Features

- Specially designed to control and minimize fugitive Emissions.
- Outstanding performance on high-cycle applications, where no stem leakage is allowed
- Double „live loaded“ Stem seal design
- High Vacuum capability
- High cycle capability
- Suitable for Category M services
- Pressure classes to ASME 600

### Sizes

- 1/2" - 2" 3 piece design
- Screwed end
- Socket weld
- Butt weld
- 1/2" to 8" Flanged design

### Materials

- Carbon Steel
- Stainless Steel
- Hastelloy-C trim option

### Standards

- ASME B16.34
- S.E. to ASME B 2.1
- S.W. to ASME B 16.11
- API 607 Fire Test

Get more information:

Product catalog:  
WCABR1023

IOMs  
WCENIM2003 (for std. valve)  
WCENIM2057 (for fugitive emission)

See page 2.

## Series CL94, CL44, CL 51/52



### Features

- Special for Chlorine Service
- Liquid and gas
- Relief vent in ball vents to the high pressure side
- Constructed in accordance with the recommendations of the Chlorine Institute including special testing, cleaning and packaging
- Available with 94 FEM stem design
- Assembled in Class 1000 clean room
- Pressure classes to ASME 600

### Sizes

- ½" - 2" 3 piece design
- Screwed end
- Socket weld
- Butt weld
- ½" to 4" Flanged design

### Materials

Carbon Steel/Monel Trim

### Standards

- ASME B16.34
- Chlorine Institute Pamphlet 6
- MSS-SP-72, B31.1, B31.3

Get more information:

Product catalog:  
WCABR1039

IOMs

WCENIM2009 (for series 94)  
WCENBR2014 (for small 51/52)  
WCENBR2015 (for large 51/52)  
WCENBR2030 (for Miser)

See page 2.

## Series: AF 44, FZ 44, AF 51/52, FZ 51/52, FM 51/52, AF 94, FZ 94 AF 818/828, EAF 818/828



### Features

- Fire-Safe Valves
- Ensure operational integrity before, during, and after a fire.
- Tight Shut off, Anti static, no external leakage
- Available with 94 FEM stem design
- Pressure classes to ASME 600

### Sizes

- ½" - 2" 3 piece design
- Screwed end
- Socket weld
- Butt weld
- ½" to 10" Flanged design

### Standards

- ASME B16.34
- API 607 Fire Test
- EXES 3-14-1-2A
- BS 6755-PT2
- FM 7440

Get more information:

Product catalog:  
WCABR1029

IOMs

WCENIM2003 (for series 94)  
WCENIM2014 (for small 51/52) WCENIM2015  
(for large 51/52 & 151/301)  
WCENIM2020 (for series 818/828)  
WCENIM2030 (for Miser)  
WCENIM2047 (for series 82/83)  
WCENIM2052 (for 51/52 FM)  
WCENIM2054 (for O&G shutoff FM)  
WCENIM2057 (for fugitive emissions)

See page 2.

## Series C4, C44, and C51



### Features

- Cryogenic Services
- High-performance, shutoff valves for intermittent and continuous flow applications with temperatures to -425°F
- Positive Ball/Cavity relief with V3 vent hole
- Zero Leak packing
- Effective Bonnet Extensions
- Valves designed for low thermal stress, automation and Fire Safety
- Assembled in Class 1000 clean room
- Pressure classes to ASME 600

### Sizes

- ½" - 2" 3 piece design
- Screwed end
- Socket weld
- Butt weld
- ½" to 6" Flanged design

### Materials

- Brass
- Stainless Steel

### Standards

- ASME B16.34
- API 607 Fire Test

Get more information:

Product catalog:  
WCABR1040

IOMs

WCENIM2006 (for R12/R6 or earlier)  
WCENIM2038 (for std. valve)

See page 2.

**WK44 HIGH PURITY VALVES****Features**

- High Purity, Cast 316L
- Class 100 Clean Room Assembly
- 30Ra interior surface finish
- Diverter and Three-way porting
- Aseptic purge connections
- Quick disconnect & Extended weld ends

**Specifications**

- Size Range: ½" - 2.0"
- Body Styles: 2-way and 3-way

**Materials:**

- ASTM A351-CF3M, ASTM A479
- Interior Surface Finish: 30Ra std, 15Ra electropolished
- Seats/Seals: PTFE, UHMWPE, Polyfill

**Agency Approvals**

- FDA(21CFR), USDA, USP

**Applications**

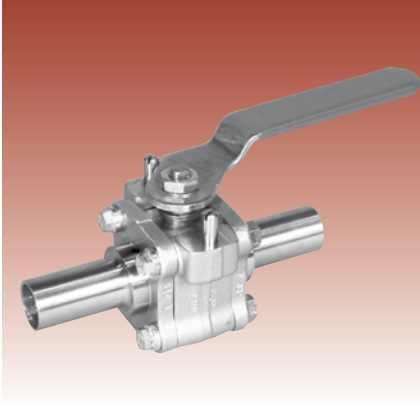
- Sterile steam, cosmetics and creams, oils, detergents, food processing

Get more information:

Product catalog:  
WCABR1035

IOMs  
WCAIM2030

See page 2.

**WK74 HIGH PURITY VALVES****Features**

- High Purity, Cast 316L - Tube bore
- Class 100 Clean Room Assembly
- 20Ra interior surface finish
- Controlled ferrite <5%
- Controlled sulfur for orbital welding
- CMTRs standard

**Specifications**

- Size Range: ½" - 4.0"
- Body Styles: 2-way and 3-way

**Materials:**

- ASTM A351-CF3M, ASTM A479
- Interior Surface Finish: 20Ra std, 10Ra electropolished
- Seats/Seals: PTFE, TFM, Polyfill

**Agency Approvals**

- ASME BPE, FDA(21CFR), USP Class 6, USDA

**Applications**

- High purity and aseptic processes, sterile steam, high purity water, fermentation, lyophilization, food processing

Get more information:

Product catalog:  
WCABR1037

IOMs  
WCAIM2018

See page 2.

**WK70 HIGH PURITY VALVES****Features**

- High Purity, Forged F316L - Tube bore
- Class 100 Clean Room Assembly
- 20Ra interior surface finish
- Controlled ferrite <5% (<1% optional)
- Controlled sulfur for orbital welding
- CMTRs

**Specifications**

- Size Range: ½" - 4.0" (6.0" optional)
- Body Styles: 2-way and 3-way

**Materials:** ASTM A182 F316L, ASTM A479

- Interior Surface Finish: 20Ra std, 10Ra electropolished
- Seats/Seals: PTFE, TFM, Polyfill

**Agency Approvals**

- ASME BPE, FDA(21CFR), USP Class 6, USDA

**Applications**

- Pharmaceutical/Biotech, microelectronics, steam distribution and distillation, fermentation, lyophilization, food and beverage

Get more information:

Product catalog:  
WCABR1036

IOMs  
WCAIM2018

See page 2.



**Series: 4, H44,PT  
High-per Miser  
H71 Hydromizer**



**Features**

- High-Pressure Valves
- Resilient seated valves for High pressure and High Temperature applications
- Pressures above ASME 600 to 5000 psi and (ASME Class 2500 (Consult Brochure for PT curves and limitations))
- Used in Steam, Hydraulics, gasses and fluids, CNG and Subsea

**Sizes**

- ½" - 2" 3 piece design
- Screwed end
- Socket weld, Butt weld
- ½" to 6" Flanged design
- Wafer 3"-6"

**Standards**

- ASME B16.34
- S.E. to ASME B 2.1
- S.W. to ASME B 16.11  
(Consult product catalog)

Get more information:

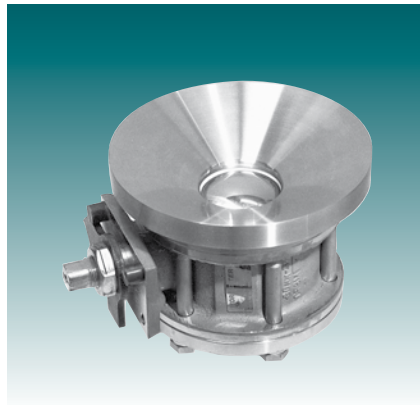
Product catalog:  
WCABR1051

IOMs

WCENIM2015 (for large 51/51)  
WCENIM2024 (for std. valve)  
WCENIM2030 (for Miser)

See page 2.

**TANK BOTTOM VALVES**



**Features**

- Flush, Tank-bottom Drain valve
- For Biotech, Pharmaceutical, Food, Chemical and Cosmetic Processing
- Worcester 3 pc design advantages with a tank bottom end piece design.
- Available prepared for O2 and vacuum services
- Pressure classes to ASME 600

**Sizes**

- 1" - 4" 3 piece design
- Screwed end
- Socket weld, Butt weld

Get more information:

Product catalog:  
WCENBR1028

Installation instructions:

WCENIM2001

See page 2.

**SERIES CPT  
CONTROL VALVE**



**Features**

- The CPT is a characterized seat Control Valve with a revolutionary patented design
- Precision Control, high capacity
- Zero external leakage
- High Cycle Capacity
- Custom-cut Characterized Seats
- High Rangeability
- Efficient Shearing Action

**Sizes**

- ½" - 2" 3-piece design
- Screwed end
- Socket and Butt weld
- ½" to 4" Flanged design
- Wafer 3"-6"
- Pressure classes to ASME 600  
(Consult Literature)

**Standards**

- ASME B16.34
- S.E. to ASME B 2.1
- S.W. to ASME B 16.11  
(Consult product catalog)

Get more information:

Product catalog:  
WCABR1001

IOMs

WCENIM2009 (for series 94)  
WCENIM2040 (for series 44)

See page 2.

## SERIES 36 ELECTRIC ACTUATOR



### Features

- Compact size
- Permanently Lubricated and sealed gear train
- Thermal overload protection
- Simple mounting and installation
- Additional output switch
- Solid-State timer option for automatic cycling

### Torque Range

- 150 in-lb and 550 in-lb output torques

### Temperature Range

- 0 deg F to 150 deg F maximum ambient

### Supply Voltage

- 120 VAC 50/60, 240 VAC 50/60

### Standards

- Type 1, 4 and 4X

### Applications

- Industrial quarter-turn ball valves

### OEM installations

- Air Drying Equipment
- Sampling systems
- Compressor installations
- Condensate draining
- Tank draining

Get more information:

Product catalog:  
WCABR1006 or WCABR1007

IOM  
WCAIM2007

See page 2.

## SERIES 75 ELECTRIC ACTUATOR



### Features

- Two Year Warranty
- Baked Epoxy Coated
- Permanently Lubricate Gear Train
- Manual override
- Thermal Overload Protection
- Reversible Rotary Operation

### Optional Features

- Extended Duty Cycle Motors
- Fail Safe Capability
- Positioners and P.I.D. Controllers
- RTU Solar Power Interface

### Torque Range

- 150 - 3000 in-lbs

### Temperature Range

- -40 F to 150 F

### Supply Voltage

- 120 & 240 VAC, 12 & 24 VDC

### Standards

- Type I, 4, 4X
- Class 1, Div 1, Groups C, D

### Applications

- Process control for rotary valves, dampers and multi-turn chokes
- Boiler feed water
- Temperature control (steam, thermal fluid)
- Chemical, Power, Water/Waste Water, Food & Beverage, HVAC

Get more information:

Product catalog:  
WCABR1014

IOM  
WCAIM2013

See page 2.

## SERIES 72 ELECTRO-HYDRAULIC ACTUATOR



### Features

- Fail-safe on power failure
- Fast moving valve closure
- Long operational life
- No hydraulic reservoir- mounts in any position
- No clutches, battery packs or clock springs
- Simple 2-wire control
- Two Year Warranty
- FM Approved
- Cost-effective

### Torque Range

- Up to 900 in-lbs ( end of spring )

### Temperature Range

- 0 F to 150 F

### Supply Voltage

- 120 & 240 VAC, 24 VDC

### Standards

- Type 4, 4X
- Class 1, Div 1, Groups B,C,D

### Applications

- Oil & Gas Safety Shut Off
- Tank Farms
- Water/Waste Water
- Burner Management
- Oil Field Steam Generators
- Dampers

Get more information:

Product catalog:  
WCABR1025

IOM  
WCAIM2049

See page 2.

## SERIES 34 PNEUMATIC ACTUATOR



### Features

- Compact Scotch-Yoke design
- Baked epoxy coating
- Minimum air consumption
- Adjustable speed control
- Single external air and electrical connections
- Fail-safe spring return option
- Built-in solenoid air pilot
- High temperature option

### Torque Range

- Up to 1000 in-lbs @ 100 psi input

### Temperature Range

- -25 F to 160 F, Optional to 250 F

### Supply Voltage

- 24, 120, 240, 480 VAC; 12, 24VDC

### Standards

- Type 1, 4, 4x
- Class 1, Div 1, Groups A, B, C, D

### Applications

- Industrial Qtr-Turn valve automation
- Automotive, OEM, Chemical & Water

Get more information:

Product catalog:  
WCENBR1004

IOM  
WCAIM2008

See page 2.

## SERIES 39 PNEUMATIC ACTUATOR



### Features

- High Performance, High Cycle Design
- Two-Year warranty
- Twin piston, double rack & pinion
- Extruded, anodized aluminum body
- NAMUR, ISO mounting
- Polished stainless steel guide rods
- Multi-spring force transfer
- Dual male output shafts
- End cap air supply ports
- End mount solenoid/switch accessories

### Torque Range

- Up to 60,000 in-lbs @ 120 psi input

### Temperature Range

- -40 F to 212 F; (high temp option 300F)

### Pressure Range

- 30-120psi DA, 40-120psi SR

### Standards

- Type 1, 4, 4x
- Class 1, Div 1, Groups A, B, C, D

### Applications

- Chemical, Petrochemical & Refining,
- Power, Oil & Gas, Food & Beverage

Get more information:

Product catalog:  
WCABR1003

IOM  
WCAIM2036

See page 2.

## ACCESS ACTUATOR PNEUMATIC ACTUATOR with PROCESS INTERFACE



### Features

- Integral solenoid & position switch
- Single electrical connection
- High flow spool valve
- Manual override and speed control
- No mounting brackets
- Diagnostic LED circuit board
- Digital Fieldbus networks

### Torque Range

- Up to 60,000 in-lbs

### Enclosure

- Type 4, 4X; U.L.; CSA approved
- Class 1, Div 1, Groups B, C, D
- Intrinsically Safe, NRTL/C approved

### Position Switch

- SPDT/DPDT, Gold Contact, Proximity

### Temperature Range

- 0 F to 160 F

### Supply Voltage

- 12, 24 VDC, 24, 120, 240 VAC

### Pressure Range

- 40 to 120 psi

### Standards

- 4, 4x, 7, 9 and 12

### Applications

- Digital Fieldbus Networks, Chemical,
- Petrochemical & Refining, Oil & Gas,
- Food & Beverage, Pharmaceutical

Get more information:

Product catalog:  
WCABR1024

IOM  
WCAIM2027  
WCAIM2028  
WCAIM2023  
WCAIM2032

See page 2.

## SERIES ELK39 END MOUNT POSITION SWITCH



### Features

- End mount versus top mount
- Reduced assembly height
- Reduced installation envelope
- Eliminates mounting kits
- Multiple switch options
- Aluminum enclosure
- U.L., CSA & FM Approvals

### Enclosure

- Die cast aluminum, epoxy coated

### Standards

- Type 4, 4X; U.L.; CSA approved
- Class1, Div1, Groups C,D
- Class1, Div2, Groups E,F, G

### Position Switch

- SPDT/DPDT, Gold Contact, Proximity

### Temperature Range

- 0 to 160 F

### Switch Ratings

- SPDT-15 Amp, 125, 250, 480 VAC; 1/2A, 24VDC
- DPDT-10Amp, 125, 250 VAC; 0.3A,125VDC
- Proximity Sensor - (5-200mA, 20-140VAC, 10-140VAC, UL listed, CSA Certified)

### Applications

- Remote position indication
- Relay device for pumps
- Alarms and indicator lights
- Industrial, Chemical, Petrochemical installations

Get more information:

Product catalog:  
WCABR1027

IOM  
WCAIM2051

See page 2.

## ACCESS Actuator END MOUNT POSITION SWITCH



### Features

- Integral solenoid & position switch
- Single electrical connection
- High flow spool valve
- Manual override and speed control
- No mounting brackets
- Diagnostic LED circuit board
- Digital Fieldbus networks

### Enclosure

- Die cast aluminum, epoxy coated

### Standards

- Type 4, 4X; U.L.; CSA approved
- Class1, Div1, Groups B,C,D
- Class1, Div2, Groups E,F, G
- Intrinsically Safe, NRTL/C approved

### Position Switch

- SPDT/DPDT, Gold Contact, Proximity

### Temperature Range

- 0 to 160 F

### Switch Ratings

- SPDT - 15 Amp, 24,120,240 VAC; 1/2A, 24VDC
- DPDT - 10 Amp, 24,120,240 VAC; 1/2A, 24VDC
- I.S.- (Gold Contacts), 1 Amp, 120 VAC, 1 Amp, RES (0.5A IND) 24 VDC
- Proximity Sensor - (5-200mA, 20-140VAC 10-140VAC, UL listed, CSA Certified)

### Applications

- Digital Fieldbus Networks, Chemical,
- Petrochemical & Refining, Oil & Gas,
- Food & Beverage, Pharmaceutical

Get more information:

Product catalog:  
WCABR1024

IOM  
WCAIM2027 (standard)  
WCAIM2028 (intrinsically safe)  
WCAIM2023 (DeviceNet)  
WCAIM2032 (AS-i)

See page 2.

## UltraSwitch WGL Series TOP MOUNT POSITION SWITCH



### Features

- Pharos visual position indicators for high contrast, wide angle viewing
- Compliance to NAMUR VDI/VDE 3845 mounting specifications eliminates coupler and maximizes interchangeability
- Captive stainless steel cover screws
- Prewired multipoint terminal strip
- Quick-Set spring loaded cams are extra wide and splined to permit tool-free limit switch calibration
- Extensive switch offering for a wide range of applications including mechanical, proximity, solid state sensor options

### Description

- Provides a compact and economical package for NEMA 4 visual and remote electrical indication of valve position

### Housing Material

- Die cast aluminum; electrostatic powder coated

### Standards

- NEMA 4, 4x

### Hazardous Area Classifications

- Class I, Division 2, Groups A, B, C, D approvals when supplied with hermetically sealed magnetic proximity switches.
- ATEX II 2G EEx me II T4-T6 with Phazer II and BRS switches.
- Class II Division 2 Groups F&G

Get more information:

Product catalog:  
WCENBR1057

Product Specification  
WCENPS1054

IOM  
WCENIM2075

See page 2.

## UltraSwitch WPL Series TOP MOUNT POSITION SWITCH



### Features

- UltraDome visual position indicators for high contrast, wide angle viewing
- Compliance to NAMUR VDI/VDE 3845 mounting specifications eliminates coupler and maximizes interchangeability
- Captive stainless steel cover screws
- Prewired multipoint terminal strip
- Quick-Set spring loaded cams are extra wide and splined to permit tool-free limit switch calibration
- Extensive switch offering for a wide range of applications including mechanical, proximity, solid state, and analog feedback options

### Description

- Engineered resin enclosure provides excellent protection for harsh corrosive environments

### Housing Material

- Non-metallic engineered resin

### Standards

- NEMA 4, 4x

### Hazardous Area Classifications

- Class I, Division 2, Groups A, B, C, D approvals when supplied with hermetically sealed magnetic proximity switches Atex II 2 G EEx me II T4-T6 with Phazer II and BRS switches.
- Class II Division 2 Groups F&G

Get more information:

Product catalog:  
WCENBR1057

Product Specification  
WCENPS1055

IOM  
WCENIM2075

See page 2.

## UltraSwitch WXCL Series TOP MOUNT POSITION SWITCH



### Features

- UltraDome visual position indicators for high contrast, wide angle viewing
- Compliance to NAMUR VDI/VDE 3845 mounting specifications eliminates coupler and maximizes interchangeability
- Captive stainless steel cover screws
- Prewired multipoint terminal strip
- Quick-Set spring loaded cams are extra wide and splined to permit tool-free limit switch calibration
- Extensive switch offering for a wide range of applications including mechanical, proximity, solid state, and analog feedback options

### Description

- Provides a heavy-duty and rugged globally-certified explosion-proof package for visual and remote electrical indication of valve position

### Housing Material

- Die cast aluminum; dichromate conversion undercoat; electrostatic powder top coat

### Standards

- NEMA 4, 4x, 7 and 9, IP65, IP67

### Hazardous Area Classifications

- Explosion-Proof (UL/CSA/ATEX) mechanical switch options
- Class I, Divisions 1, Groups C and D
- Class II, Divisions 1, Groups E, F and G
- ATEX II 2 G EEx d IIB T5
- Explosion-Proof (UL/CSA/ATEX) proximity/solid state switch options (except NJ)
- Class I, Division 1, Groups C and D
- Class I, Division 2, Groups A, B, C and D with select hermetically sealed proximity switches
- Class II, Divisions 1 and 2, Groups E, F and G
- ATEX II 2 G EEx d IIB T5

Get more information:

Product catalog:  
WCENBR1057

Product Specification  
WCENPS1056

IOM  
WCENIM2076

See page 2.

## Aviator Integrated Valve Controller TOP MOUNT POSITION



### Description

- Designed for use with pneumatic rotary industrial valve actuators in hazardous locations. With the same features as the UltraSwitch, the Aviator provides actuator/valve control by receiving a direct solenoid voltage signal. Also provides remote indication of open and closed valve positions by completing separate electrical circuits.

### Housing Material

- Aluminum (XV and CV models)
- Engineered Resin (WR model)

### Standards

- NEMA 4, 4x, 7, 9 IP66/IP67 (XV model)
- ATEX EEx d IIB (CV model)
- NEMA 4, 4x (WR model)

### Hazardous Area Classifications

- Class I, Division 1, Groups C, D
- Class II, Division 1, Groups E, F, G
- Class II, Division 2 Groups F&G
- Class I, Division 2, Groups A, B, C and D
- ATEX II 2 G EEx d IIB T4-T6
- ATEX II 3 G EEx nC II T4-T6 with R4 P1, PP and B4 switch options.

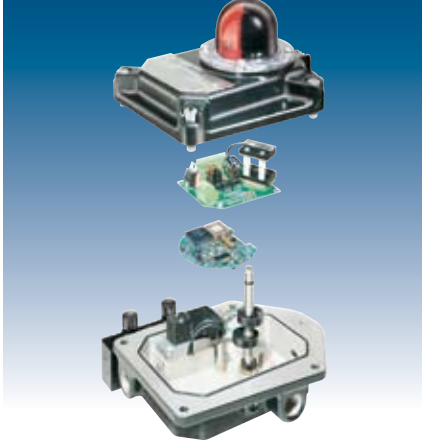
Get more information:

Product catalog:  
WCENBR1057

See page 2.

## BUSwitch Integrated Valve Controller

### TOP MOUNT POSITION



#### Description

- Designed for use with pneumatic rotary industrial valve actuators in hazardous locations with digital fieldbus communications. With the same features as the Aviator, the BUSwitch provides actuator/valve control by receiving a direct solenoid voltage signal. Also provides remote indication of open and closed valve positions by completing separate electrical circuits. Available in the following fieldbus protocols: AS-i, DeviceNet, FOUNDATION Fieldbus and PROFIBUS DP.

#### Housing Material

- Aluminum (XV and CV models)
- Engineered Resin (WR model)

#### Standards

- NEMA 4, 4x, 7, 9 IP66/IP67 (XV model)
- ATEX EEx d IIB (CV model)
- NEMA 4, 4x (WR model)

#### Hazardous Area Classifications

- Class I, Division 1, Groups C, D
- Class II, Division 1, Groups E, F, G
- Class II, Division 2, F&G
- Class I, Division 2, Groups A, B, C and D
- Class I, Divisions 1 and 2, Groups A, B, C and D Intrinsically safe for FOUNDATION Fieldbus protocol only
- ATEX II 2 G EEx d IIB T4-T6
- ATEX II 3 G EEx nC II T4-T6 with Foundation Fieldbus only

Get more information:

Product catalog: AXENBR0006

Installation instructions:

AXENIM0032 or for non-metallic AXENIM0097

Product specification:

AXENPS0059 or for non-metallic AXENPS0098

Installation instructions:

AXENIM0087 for AS-i protocol

Installation instructions:

AXENIM0048 for FOUNDATION Fieldbus protocol

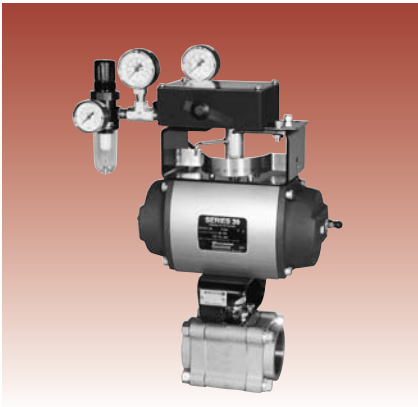
Installation instructions:

LML0012 for PROFIBUS DP protocol

See page 2.

## PM15 & PM15E Positioner

### Pneumatic & Electropneumatic



#### Features

- Simple calibration
- Modular design
- External I/P module
- High gain, high capacity spool valve
- Gold plated spool valve
- Stainless internals
- Gauge ports
- Multiple feedback accessories
- NAMUR output shaft
- ISO mounting

#### Enclosure

- Die cast aluminum, epoxy paint

#### Ingress Protection

- IP66, NEMA 4

#### Approvals

- ATEX - EExd, EEx ia, EEx nI
- CSA - Class1, Div1, Groups BCDEFG  
I.S. - Class1, Div1, Group A,B,C,D
- FM - Class1, Div1, Groups B,C,D  
I.S. - Class1, Div1, Group A,B,C,D

#### Temperature Range

- 40F to 185F

#### Accessories

- Position indication, fail freeze, remote mount

#### Applications

- Accurate and reliable control of linear and rotary pneumatic actuators for modulating control

Industries served: All

Get more information:

Product catalog:

WCABR1032

IOM

WCAIM2016

WCAIM2017

See page 2.

## L93 Pulsair Positioner

### Analog and Digital



#### Features

- Linear and rotary actuator control
- Loop powered, microprocessor design
- Simple user interface
- High visibility graphic display
- Auto calibration
- Two-stage air delivery
- Piezoelectric low power control
- "Zero" air bleed design
- Digital communication options
- NAMUR output, ISO mounting

#### Enclosure

- Die cast aluminum, epoxy paint

#### Ingress Protection

- IP66, Type 4x

#### Approvals

- ATEX - EExd, EEx ia, EEx nI
- CSA - Class1, Div1, Groups BCDEFG  
I.S. - Class1, Div1, Group A,B,C,D
- FM - Class1, Div1, Groups B,C,DI  
I.S. - Class1, Div1, Group A,B,C,D

#### Temperature Range

- 22F to 185F

#### Accessories

- Position indication, fail freeze, remote mount

#### Applications

- High performance digital process control for linear and rotary actuators for modulating control

Industries served: All

Get more information:

Product catalog:

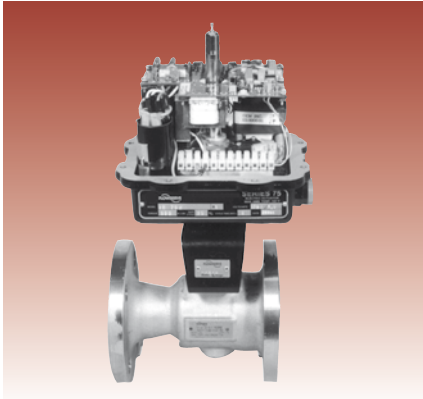
WCABR1019

IOM

WCAIM2055

See page 2.

## AF17 Positioner Positioners - Electric Actuation



### Features

- Solid-state circuit board
- Multiple signal inputs
- LED calibration
- Deadband control
- Direct and reverse acting
- Position feedback

### Enclosure

- Die cast aluminum, epoxy paint

### Supply Voltage

- 120VAC, 240VAC, 12VDC, 24VDC

### Standard Inputs

- 1-5mA, 4-20mA, 10-50mA, 0-135 ohm  
0-1000 ohm, 0-5 VDC, 0-10 VDC

### Temperature Range

- -40F To 150F

### Accessories

- Analog output module

### Applications

- Position control for rotary electric actuators to control valves and dampers.

### Industries served: All

Get more information:

Product catalog:

WCABR1027

IOM

WCAIM 2031

WCAIM2050

See page 2.

## DFP17 - DataFlo Positioner Positioners - Electric Actuation



### Features

- Microprocessor control
- Pushbutton calibration
- Speed control
- Electronic travel stops
- Adjustable dead band
- Multiple I/O options
- Digital network communications
- 20 programmable functions

### Enclosure

- Die cast aluminum, epoxy paint

### Supply Voltage

- 120VAC, 240VAC, 12VDC, 24VDC

### Standard Inputs

- 1-5mA, 4-20mA, 10-50mA, 0-135 ohm,  
0-1000 ohm, 0-5 VDC, 0-10 VDC

### Temperature Range

- -40F To 150F

### Accessories

- Analog output module

### Applications

- High performance control for Qtr-turn and Multi-turn rotary electric actuators for modulating control of valves and dampers.

### Industries served: All

Get more information:

Product catalog:

WCABR1024

IOM

WCAIM2037

See page 2.

## DFC17 - DataFlo Controller Controllers - Electric Actuation



### Features

- Microprocessor PID control
- Autotuning
- Local process control
- Pushbutton calibration
- Performance monitoring
- Multiple I/O options
- Modbus network communications
- RS485 network communications
- Desk top software

### Enclosure

- Die cast aluminum, epoxy paint

### Supply Voltage

- 120VAC, 240VAC, 24VDC

### Standard Inputs

- 4-20mA, RTD, Thermocouple

### Temperature Range

- -40F To 150F

### Accessories

- Analog output, 24VDC power supply

### Applications

- Direct process control (P.I.D.) for flow, temperature, pressure, level and Ph applications. Primary industries: Food & beverage, OEM, Industrial & Automotive

Get more information:

Product catalog:

WCABR1024

IOM

WCAIM2026

See page 2.



**Flowserve Corporation**

Flow Control  
1978 Foreman Drive  
Cookeville, Tennessee 38501  
Phone: 931 432 4021  
Fax: 931 432 3105  
[www.flowserve.com](http://www.flowserve.com)

**Flowserve Pte. Ltd.**

12 Tuas Avenue 20  
Republic of Singapore 638824  
Phone: 65 862 3332  
Fax: 65 862 2800

***To find your local Flowserve representative,  
visit [www.flowserve.com](http://www.flowserve.com) or call USA 1 800 225 6989***

FCD WCENBR0001-01 05/08 Printed in USA.

Flowserve Corporation has established industry leadership in the design and manufacture of its products. When properly selected, this Flowserve product is designed to perform its intended function safely during its useful life. However, the purchaser or user of Flowserve products should be aware that Flowserve products might be used in numerous applications under a wide variety of industrial service conditions. Although Flowserve can (and often does) provide general guidelines, it cannot provide specific data and warnings for all possible applications. The purchaser/user must therefore assume the ultimate responsibility for the proper sizing and selection, installation, operation, and maintenance of Flowserve products. The purchaser/user should read and understand the Installation Operation Maintenance (IOM) instructions included with the product, and train its employees and contractors in the safe use of Flowserve products in connection with the specific application.

While the information and specifications contained in this literature are believed to be accurate, they are supplied for informative purposes only and should not be considered certified or as a guarantee of satisfactory results by reliance thereon. Nothing contained herein is to be construed as a warranty or guarantee, express or implied, regarding any matter with respect to this product. Because Flowserve is continually improving and upgrading its product design, the specifications, dimensions and information contained herein are subject to change without notice. Should any question arise concerning these provisions, the purchaser/user should contact Flowserve Corporation at any one of its worldwide operations or offices.

© 2007 Flowserve Corporation, Irving, Texas, USA. Flowserve is a registered trademark of Flowserve Corporation.